

2024 TRACK ENTERPRISES / STATE FAIR / LINCOLN SPEEDWAY SPORTSMAN RULES

ALL RACE EQUIPMENT DESCRIBED IN THIS SECTION MUST BE APPROVED BY TRACK ENTERPRISES OFFICIALS PRIOR TO USE IN AN EVENT. ALL RACE EQUIPMENT IS SUBJECT TO INSPECTION BY TRACK ENTERPRISES OFFICIALS, AT ANY TIME AND IN ANY MANNER. ALL DECISIONS BY THESE OFFICIALS REGARDING THE TIMING AND MANNER OF INSPECTION AS WELL AS THE OUTCOME OF SUCH INSPECTIONS ARE FINAL, NO EQUIPMENT WILL BE CONSIDERED AS HAVING BEEN APPROVED BY REASON OF HAVING PASSED THROUGH INSPECTION AT ANY TIME OR ANY NUMBER OF TIMES. ANY TEAMS WITH NON-CONFORMING CARS OR VISITING CARS SHOULD SEND INQUIRES AND QUESTIONS TO TRACK ENTERPRISES VIA E-MAIL track@trackenterprises.com

(THESE RULES ARE VERY SIMILAR TO MACON SPEEDWAY SPORTSMAN RULES, OTHER THAN BODY/SHEET METAL LETTER "N" AND SHOCKS LETTER "G".

BODY / SHEET METAL

- A. ALL CARS COMPETING MUST HAVE A STOCK APPEARING BODY.
- B. THE MINIMUM WHEELBASE FOR ALL CARS IS 104 INCHES, MEASURED ON BOTH SIDES.
- C. NO WEDGE BODIES ALLOWED. THE BODY MUST BE STOCK APPEARING INCLUDING BODY CHARACTER LINES. SLAB SIDED OR BODIES WITH FLAT SIDES WILL NOT BE ALLOWED. BODY MUST MEET THE MEASUREMENTS OF THE STANDARD DRAWINGS.
- D. BODY PANELS CAN BE MADE OF STEEL OR ALUMINUM ONLY WITH THE EXCEPTION OF THE FRONT FENDERS AND ROOF. THE FRONT FENDERS AND ROOF MAY BE MADE OF STEEL, ALUMINUM OR FIBERGLASS.
- E. THE ROOF MUST RETAIN THE BASIC SHAPE OF THE STOCK ROOF FOR THE MODEL BEING USED. NO FLAT ROOFS. THE MAXIMUM RAKE FRONT TO REAR FOR ANY ROOF MUST NOT EXCEED TWO AND ONE HALF (2.5) INCHES. THE ADDITION OF AIR DIRECTING AND/OR AIR DEFLECTING DEVICES SUCH AS WICKERS, GURNEY LIPS AND ALIKE ARE NOT ALLOWED IN ANY LOCATION ON THE ROOF. THE MINIMUM ROOF HEIGHT IS FOURTY-SEVEN (47) INCHES FROM THE CENTER OF THE ROOF TO THE GROUND.
- F. THE MINIMUM WIDTH OF THE ROOF FROM SIDE TO SIDE IS FOURTY-SIX (46) INCHES. THE MAXIMUM WIDTH OF THE ROOF FROM SIDE TO SIDE IS FIFTY-TWO (52) INCHES.
- G. THE MINIMUM LENGTH THE ROOF FRONT TO BACK IS FOURTY-ONE (41) INCHES. THE MAXIMUM LENGTH OF THE ROOF FRONT TO BACK IS FIFTY-TWO (52) INCHES.
- H. ALL HOODS MUST BE STOCK IN APPEARANCE. THE HOOD MUST COMPLETELY ENCLOSE THE AREA BETWEEN THE FRONT BUMPER COVER AND THE WINDSHIELD OPENING FRONT TO BACK AND BETWEEN THE LEFT AND RIGHT FENDERS SIDE TO SIDE. THE MAXIMUM HEIGHT OF THE HOOD IS THIRTY-SIX (36) INCHES. WITH THE EXCEPTION OF A SINGLE SIX (6) INCH AIR DEFLECTOR FOR PROTECTION OF THE AIR FILTER, ADDITIONAL AIR DEFLECTING DEVICES SUCH AS WICKERS, GURNEY LIPS AND ALIKE ARE NOT ALLOWED ON THE HOOD. HOOD SCOOPS ARE NOT ALLOWED. THE HOOD MUST BE SECURED TO THE CAR WITH A MINIMUM OF FOUR (4) HOOD PINS. THE HOOD MUST NOT BE BOLTED OR HELD IN PLACE WITH CHAIN OR ROPE.
- I. WINDOW OPENINGS MUST NOT BE ALTERED. DRIVER AND PASSENGER SIDE WINDOW OPENINGS MUST BE A MINIMUM OF FOURTEEN (14) INCHES HIGH.
- J. THE REAR SAIL PANEL (REAR ROOF "C" POST) MUST BE SHAPED AND LOOK LIKE THE BODY BEING USED. THE REAR SAIL PANELS MUST BE FLAT. THE SAIL PANEL MUST NOT EXCEED EIGHTEEN (18) INCHES IN HEIGHT. THE MAXIMUM LENGTH OF THE SAIL PANEL IS FIFTEEN (15) INCHES AT THE TOP AND THIRTY (30) INCHES AT THE BOTTOM. THE MINIMUM DISTANCE FROM THE BOTTOM OF THE SAIL PANEL TO THE REAR OF THE CAR IS TWENTY-TWO (22) INCHES WHEN MEASURED AT THE TOP OF THE REAR QUARTER PANEL ON BOTH SIDES OF THE CAR.
- K. POLY FRONT AND REAR BUMPER COVERS ARE ALLOWED. DIRT LATE MODEL NOSES ALLOWED. NO RAISED BAT WINGS. THEY MUST BE FLAT AT THE TOP OF THE HOOD ACROSS THE FRONT. MUST BE STOCK APPEARING SHORT TRACK NOSES OR CLASSIC DIRT NOSE AND WINGS AND REAR BUMPER COVERS. IF USING POLY REAR COVER, IT MUST MATCH FRONT COVER.
- L. STOCK APPEARING NOSES OR CLASSIC DIRT NOSES AND FENDERS ARE ALLOWED.
- M. THE FENDERS MUST REMAIN FLAT AT THE TOP OF THE HOOD THE WHOLE WAY ACROSS THE TOP. FABRICATED FRONT FENDERS OR THE STANDARD FENDERS OR HALF FENDERS THAT CORRESPOND WITH THE APPROVED NOSE MAY BE USED. FENDERS MAY BE OBTAINED SEPARATELY FROM THE

NOSE. IN ALL CASES, THE FENDERS CANNOT EXTEND PAST THE OUTSIDE EDGE OF THE TIRE. THE USE OF HEADLIGHT AND GRILL DECALS IS HIGHLY RECOMMENDED. HOLES FOR DUCTING AIR ARE PERMITTED IN THE NOSE FOR THE RADIATOR AND BRAKES ONLY.

- N. THE FENDERS MUST REMAIN FLAT AT THE TOP OF THE HOOD THE WHOLE WAY ACROSS THE TOP. FABRICATED FRONT FENDERS OR THE STANDARD FENDERS OR HALF FENDERS THAT CORRESPOND WITH THE APPROVED NOSE MAY BE USED. FENDERS MAY BE OBTAINED SEPARATELY FROM THE NOSE. IN ALL CASES, THE FENDERS CANNOT EXTEND PAST THE OUTSIDE EDGE OF THE TIRE. THE USE OF HEADLIGHT AND GRILL DECALS IS HIGHLY RECOMMENDED. HOLES FOR DUCTING AIR ARE PERMITTED IN THE NOSE FOR THE RADIATOR AND BRAKES ONLY.
- O. FRONT AND REAR BUMPERS MUST BE LOCATED IN THE STOCK POSITION. IF STOCK BUMPERS ARE USED, THEY MUST NOT STICK OUT BEYOND THE FENDERS AND QUARTER PANELS. REINFORCING OF THE FRONT AND REAR BUMPERS IS ALLOWED BUT MUST NOT BE VISIBLE OUTSIDE THE NOSE OR FRONT AND REAR BUMPER COVERS. THE ENDS OF TUBULAR BUMPERS MUST NOT BE SHARP OR OPEN TUBES. BUMPER TUBE ENDS MUST BE CAPPED.
- P. THE REAR OF THE BODY BETWEEN THE QUARTER PANELS MUST BE ENCLOSED FROM THE TOP OF THE REAR BUMPER TO THE REAR DECK LID. THE MINIMUM HEIGHT OF THIS PANEL MUST BE TWELVE (12) INCHES. FOR CARS USING A STOCK-APPEARING REAR BUMPER COVER, THE COVER MUST BE USED AS MANUFACTURED. THE STOCK REAR BUMPER COVER MUST NOT BE WIDENED AND SHOULD MATCH THE MAKE AND MODEL OF THE FRONT BUMPER COVER (NOSE) BEING USED.
- Q. THE REAR DECK LID MUST FULLY ENCLOSE THE CAR FROM THE BOTTOM OF THE REAR WINDOW OPENING TO THE REAR PANEL ABOVE THE REAR BUMPER. THE DECK LID MUST REMAIN AS FLAT AS POSSIBLE AND CANNOT BE ANGLED TO DEFLECT AIR. THE MAXIMUM HEIGHT OF THE REAR DECK LID IS THIRTY-SIX (36) INCHES.
- R. NO RAILS ON THE REAR DECK LID FOR DIRECTING AIR.
- S. NO REAR SPOILER ALLOWED.
- T. THE MAXIMUM HEIGHT OF THE DOOR TOPS AND FRONT FENDERS AT THE COWL AREA IS THIRTY-SIX (36) INCHES FROM THE GROUND.
- U. THE MAXIMUM HEIGHT OF THE REAR QUARTER PANELS IS THIRTY-SIX (36) INCHES FROM THE GROUND.
- V. THE MINIMUM HEIGHT ABOVE THE GROUND TO THE BOTTOM OF THE REAR QUARTER PANEL IS EIGHT (8) INCHES IN FRONT OF THE REAR TIRE AND THIRTEEN (13) INCHES BEHIND THE REAR TIRE.
- W. PLASTIC SKIRTING IS ALLOWED ON THE BOTTOM OF THE SIDE BODY PANELS. THE MINIMUM HEIGHT OF THE BODY ABOVE THE GROUND IS SIX (6) INCHES.
- X. REAR FENDER FLAIRS ARE NOT ALLOWED.
- Y. THE MAXIMUM WIDTH OF THE CAR FROM THE REAR OF THE FRONT FENDER TO THE BACK OF THE CAR IS SEVENTY-FIVE (75) INCHES.
- Z. ALL GLASS MUST BE REMOVED. NO MIRRORS ARE ALLOWED. A MINIMUM OF THREE (3) 3/8" STEEL BARS MUST BE INSTALLED ON THE DRIVER'S SIDE WINDSHIELD OPENING. SCREEN CAN ALSO BE USED AND IS RECOMMENDED.
- AA. INTERIOR SHEET METAL MUST COMPLETELY ENCLOSE THE DRIVER'S COMPARTMENT. INTERIOR SHEET METAL MUST NOT BE USED TO CHANNEL AIR FROM THE FLOOR TO THE TOP OF THE REAR QUARTER PANELS.

ROLL CAGE

- A. A FULL ROLL CAGE IS REQUIRED IN ALL CARS.
- B. THE ROLL CAGE MUST BE CONSTRUCTED USING MINIMUM 1.5" BY 0.095" MILD STEEL TUBING. THE ROLL CAGE MUST BE WELDED TO THE FRAME IN A MINIMUM OF SIX (6) LOCATIONS (6-POINT ROLL CAGE). ADDITIONAL ATTACHMENT POINTS ARE RECOMMENDED.
- C. THE ROLL CAGE MUST BE WELDED TO THE MAIN FRAME AND THE FRONT AND REAR SUBFRAMES.
- D. ALL WELDS OF THE ROLL CAGE JOINTS MUST SHOW PROFESSIONAL QUALITY WORKMANSHIP.
- E. CAGES MUST HAVE MINIMUM OF THREE (3) DOOR BARS ON THE LEFT SIDE OF THE ROLL CAGE INCLUDING GUSSETS AT ATTACHMENT POINTS. CAGES MUST HAVE A MINIMUM OF TWO (2) DOOR BARS ON THE RIGHT SIDE OF THE CAGE. ROLL CAGE DOOR BARS MUST BE ATTACHED TO THE DOOR BAR BELOW WITH A MINIMUM OF TWO (2) 1.5" BARS.
- F. DRIVER SIDE DOOR BARS MUST BE COVERED WITH A MINIMUM 1/8-INCH ANTI-INTRUSION PLATE FROM THE TOP DOOR BAR TO THE TOP OF THE LEFT SIDE FRAME RAIL AND FROM THE LEFT SIDE FRONT ROLL CAGE LEG TO THE LEFT SIDE MAIN ROLL CAGE BAR.
- G. THE DRIVER'S HEAD AND HELMET MUST BE BELOW THE MAIN ROLL CAGE HALO BAR (HOOP) AT ALL TIMES WHEN THE DRIVER IS SEATED IN THE CAR.

MINIMUM CAR WEIGHT / ADDED WEIGHT

- A. THE MINIMUM WEIGHT FOR ALL CARS AT ANY TIME IS 2,800 POUNDS INCLUDING DRIVER.
- B. ADDED WEIGHT MUST BE LEAD WEIGHT ONLY.
- C. ALL ADDED WEIGHT MUST BE IN BLOCK FORM, PAINTED WHITE AND HAVE THE CAR NUMBER VISIBLE ON ALL WEIGHTS.
- D. NO TRACTOR WEIGHTS, BAR BELL WEIGHTS, OLD ENGINE CYLINDER HEADS, ETC. CAN BE USED FOR ADDED WEIGHT.
- E. ALL ADDED WEIGHT MUST BE SECURELY MOUNTED USING A MINIMUM OF ONE (1) 1/2" BOLT FOR EVERY 25 POUNDS OF WEIGHT.
- F. ADDED WEIGHT CANNOT BE ATTACHED USING TAPE, WIRE, STRAPS, HOSE CLAMPS, ETC.
- G. ADDED WEIGHT MAY BE MOUNTED TO THE FRAME, REAR AXLE OR ROLL CAGE ONLY.

FRAME AND SUSPENSION

- A. STOCK FRONT SUBFRAMES ONLY. FRONT SUBFRAMES MUST EXTEND FROM THE FRONT BUMPER MOUNT BACK TO THE FIREWALL OR MID PLATE. NO TUBULAR FRONT SUBFRAMES
- B. THE FRONT SUSPENSION PICK UP POINTS MUST REMAIN IN THE STOCK LOCATION FOR THE SUBFRAME BEING USED.
- C. STOCK OR FABRICATED SPINDLES ALLOWED.
- D. FRONT CROSS MEMBER MUST BE STOCK AND IN THE STOCK LOCATION. CROSS MEMBER MAY BE NOTCHED FOR FUEL PUMP AND OIL PAN CLEARANCE ONLY.
- E. THE MAIN CHASSIS AND REAR SUBFRAME MAY BE FABRICATED USING SQUARE OR RECTANGULAR TUBING WITH A MINIMUM 0.095" WALL THICKNESS.
- F. UNLESS OTHERWISE NOTED BELOW, NO ALUMINUM SUSPENSION PARTS ALLOWED.
- G. THE ABILITY TO ADJUST THE SUSPENSION FROM THE DRIVER'S COMPARTMENT OR WHILE THE CAR IS IN MOTION IS NOT ALLOWED.
- H. TUBULAR UPPER A-FRAMES ARE ALLOWED. UPPER A-FRAMES MUST BE STEEL. ALUMINUM INNER SHAFTS ARE ALLOWED.
- I. **STOCK OR TUBULAR LOWER A-FRAMES ARE ALLOWED.** MAXIMUM LENGTH OF ONE (1) INCH OVER STOCK LENGTH. LOWER A-FRAMES MUST MOUNT IN THE STOCK LOCATION FOR FRAME BEING USED.
- J. STEEL WEIGHT JACK AND WEIGHT JACK SCREWS ARE ALLOWED.
- K. THE MINIMUM DIAMETER OF THE FRONT COIL SPRINGS IS 5-INCHES. FRONT SPRINGS MUST BE IN THE STOCK LOCATION.
- L. STEEL COILOVER SHOCKS ARE ALLOWED NO ALUMINUM SHOCKS ALLOWED. EXTERNAL ADJUSTABLE OR TAKE APART SHOCKS ARE NOT ALLOWED. ALUMINUM COILOVER SPRING KITS ALLOWED. NO COILOVER ELIMINATORS (SLIDERS)
- M. BOTH REAR COILOVERS MUST BE MOUNTED EITHER IN FRONT OR BEHND THE REAR AXLE TUBE. COILOVERS CANNOT BE STAGGERED ON THE REAR AXLE (ONE IN FRONT AND ONE IN REAR OF AXLE TUBE).
- N. MINIMUM OUTSIDE DIAMETER OF REAR SPRINGS IS 2.5" FOR COILOVERS AND 4.5" FOR CONVENTIONAL TYPE SPRINGS.
- O. REAR SUSPENSION MOUNTS MUST BE WELDED INCLUDING BOLT ON MOUNTS. BOLT ON MOUNTS MAY BE STITCH WELDED.
- P. WIDE FIVE HUBS ALLOWED. STEEL WIDE FIVE ADAPTERS ALLOWED.
- Q. ONE TRACTION DEVICE ALLOWED, MOUNTED PARALLEL TO THE FRAME FRONT TO REAR (TOP VIEW). THE DEVICE CAN BE MOUNTED LOWER IN THE FRONT (SIDE VIEW). ANY SPRING CAN BE USED. MAY BE STEEL OR ALUMINUM, RUBBER BISCUIT ON SOLID TYPE PULL BAR ALLOWED.
- R. ONE AXLE DAMPER SHOCK ALLOWED. MUST RUN PARALLEL TO THE FRAME RAILS (FRONT TO REAR).
- S. STRAIGHT OR J-BAR TYPE PANHARD BARS ALLOWED.
- T. FIBERGLASS OR STEEL LEAF SPRINGS ARE ALLOWED BUT MUST NOT BE ALTERED.
- U. NO HALF LEAF TYPE SUSPENSION ALLOWED.
- V. NO 4-LINK REAR SUSPENSION ALLOWED.
- W. NO FIFTH ARM BARS ALLOWED FOR TRACTION OR BRAKING.
- X. NO BIRD CAGES OR LEAF SPRING FLOATERS ALLOWED.
- Y. ONLY ONE SPRING PER SIDE ON REAR. NO MONOLEAF/COIL COMBO SYSTEMS ALLOWED.
- Z. MONO LEAFS BY THEMSELVES ARE ALLOWED. MUST HOLD UP THE WEIGHT OF THE CAR.

SHOCKS

- A. **ONLY TWIN TUBE HYDRAULIC STEEL BODY SHOCKS PERMITTED.**

- B. NO SCHRADER VALVE, NO BULB, & NO ALUMINUM.
- C. ALL SHOCKS MUST COMPLETELY COLLAPSE AT ANY TIME.
- D. REAR SHOCK MAY USE ADJUSTABLE UPPER SHOCK MOUNTS.
- E. NO EXTERNAL OR INTERNAL ADJUSTERS, BUMPERS OR STOPS ALLOWED.
- F. ONE (1) SHOCK PER WHEEL.
- G. **\$150 PER SHOCK CLAIM RULE. MORE DETAILS ABOUT CLAIM COMING SOON.**

STEERING

- A. RACING TYPE STEERING WHEEL AND A QUICK RELEASE ADAPTER IS MANDATORY
- B. STOCK AND RACING TYPE RACK AND PINION ALLOWED.
- C. TIE RODS MAY BE REPLACED WITH 5/8" HEIM JOINTS AND STEEL TUBES. NO ALUMINUM TUBES.
- D. NO GEARS OR CHAINS ALLOWED ON STEERING SHAFT
- E. STEERING QUICKENER ALLOWED.

7. TRANSMISSION & CLUTCH / REAR END / DRIVE SHAFT

- A. OEM PRODUCTION TYPE TRANSMISSIONS WILL BE ALLOWED.
- B. THREE OR FOUR SPEED MANUAL OR AUTOMATIC TRANSMISSIONS ONLY
- C. NO 5 SPEED OR OVERDRIVE TRANSMISSIONS ALLOWED.
- D. NO IN AND OUT BOXES
- E. NO BUTTON OR COUPLERS
- F. TRANSMISSIONS MUST HAVE A MINIMUM OF TWO FORWARD AND ONE REVERSE GEAR.
- G. BERT AND BRINN TYPE TRANSMISSIONS ALLOWED.
- H. NO QUICK CHANGE GEAR TYPE TRANSMISSIONS ALLOWED.
- I. TRANSMISSION MUST BE EQUIPED WITH EXPLOSION-FROOF BELLHOUSING OR A STEEL SHIELD OF AT LEAST 1/4" BY 6" STEEL THAT COVERS THE CLUTCH AREA 360 DEGREES. THIS SHIELD MUST BE SECURELY FASTENED TO THE ENGING BLOCK.
- J. RACING CLUTCHES ARE ALLOWED. TWO, AND THREE DISCK RACING CLUTCHES USING A FLEX PLATE FLY WHEEL AMY RUN AN ALUMINUM BELLHOUSING (QUARTER MASTER, TILTON, RAM, ETC.).
- K. ANY STANDARD AUTO/TRUCK (IE. FORD 9-INCH) REAR END ALLOWED
- L. QUICK CHANGE REAR ENDS ALLOWED
- M. NO INDEPENDENT REAR SUSPENSION ALLOWED.
- N. FLOATER TYPE REAR END RECOMMENDED.
- O. NO ALUMINUM AXLES, AXLE TUBES, HOUSINGS, MOUNTS OR CENTER SECTIONS ALLOWED.
- P. ALUMINUM LOWERING BLOCKS ON LEAF SPRINGS ARE ALLOWED.
- Q. DRIVESHAFT MUST BE PAINTED WHITE
- R. A MINIMUM OF ONE (1) 360 DEGREE DRIVESHAFT HOOP CONSTRUCTED OF A MINIMUM OF 1/4" BY 2" STEEL IS REQUIRED.

BRAKES

- A. BRAKE ROTORS MUST BE CAST STEEL. NO ALUMINUM ROTORS
- B. MINIMUM ROTOR THICKNESS IS 0.810.
- C. RACING TYPE MASTER CYLINDERS ALLOWED.
- D. MASTER CYLINDERS MAY BE LOCATED IN THE DRIVER'S COMPARTMENT.
- E. RACING TYPE BRAKE PEDAL ALLOWED.
- F. NO FLOATING BRAKE CALIPER BRACKETS.
- G. A SINGLE BRAKE BIAS ADJUSTER IS ALLOWED.
- H. ALL FOUR WHEELS MUST HAVE FUNCTIONING BRAKES.
- I. RIGHT FRONT BRAKE SHUTOFF ALLOWED. MAY BE MANUAL OR ELECTRIC.
- J. STOCK OEM OR AFTERMARKET CAST IRON OR ALUMINUM BRAKE CALIPERS ALLOWED.

ELECTRICAL / BATTERY

- A. NO RADIOS OR TWO-WAY COMMUNICATION ALLOWED BETWEEN THE DRIVER AND TEAM.
- B. ONLY ONE WAY COMMUNICATION FROM RACE CONTROL TO THE DRIVER ALLOWED (RACECIEVER).
- C. NO TRACTION CONTROL DEVICES. CARS AND DRIVERS WILL NOT BE PERMITTED TO CARRY ONBOARD COMPUTERS, DRIVING AIDS, TRACTION CONTROL DEVICES, AND ALIKE EVEN IF INOPERABLE OR INCOMPLETE. ANY DEVICE DESIGNED SPECIFICALLY TO ENHANCE THE TRACTION CAPABILITIES OF THE CAR IS NOT ALLOWED. ANY COMPETITOR FOUND WITH A TRACTION CONTROL DEVICE(S) IN THEIR POSITION WILL RESULT IN THE CAR, DRIVER, TEAM OWNER AND AT THE DISCRETION OF TRACK ENTERPRISES, ANY MEMBER OF THE TEAM TO BE SUSPENDED FROM COMPETITION FOR ONE YEAR.

- D. A KILL SWITCH THAT SHUTS OFF ALL ELECTRICAL COMPONENTS OF THE CAR MUST BE MOUNTED WITHIN EASY REACH OF THE DRIVER AND SAFETY CREW. THE SWITCH MUST BE CLEARLY MARKED ON AND OFF.
- E. THE BATTERY MUST BE MOUNTED SECURELY TO THE CAR EITHER IN A LEAK-PROOF PLASTIC BATTERY BOX IF LOCATED IN THE DRIVER'S COMPARTMENT OR SECURELY FASTENED TO THE FRAME IF OUTSIDE OF THE COCKPIT AREA.
- F. BATTERY MUST BE FASTENED USING A MINIMUM OF TWO (2) 3/8" BOLTS.
- G. THE BATTERY MUST NOT BE MOUNTED OUTSIDE THE FRAME.

ENGINE

- A. THE ENGINE MUST BE STANDARD PRODUCTION CAST IRON V8 BLOCK AND CYLINDER HEADS. ALL ENGINES MUST HAVE A SINGLE CAM AND A MAXIMUM OF TWO (2) VALVES PER CYLINDER. ALL ENGINES MUST BE STOCK APPEARING. ENGINES MUST BE FORD, GENERAL MOTORS OR MOPAR-CHRYSLER ONLY.
- B. MAXIMUM ENGINE SET BACK IS FOUR (4) INCHES REARWARD OF THE FORWARD MOST SPARK PLUG TO THE UPPER MIDDLE OF THE BALL JOINT ON THE SAME SIDE OF THE CAR.
- C. THE CENTERLINE OF THE CRANKSHAFT OF THE ENGINE MUST BE CENTERED BETWEEN THE FRAMERAILS.
- D. SOLID MOTOR MOUNTS ARE ALLOWED.
- E. HEADERS ARE ALLOWED AND MUST EXIT UNDER THE CAR. HEADERS CANNOT EXIT THROUGH THE BODY PANELS INCLUDING FENDERS.
- F. NO 180 DEGREE OR ZOOMIE TYPE HEADERS ALLOWED.
- G. NO FLEXABLE HEADER TUBING ALLOWED.
- H. ALUMINUM INTAKE MANIFOLDS ALLOWED
- I. ALUMINUM CYLINDER HEADS AND ENGINE BLOCK ARE NOT ALLOWED.
- J. A SINGLE TWO-BARREL OR FOUR-BARREL CARBURETOR IS ALLOWED NO MULTI CARBURATOR SET UPS ALLOWED.
- K. FUEL INJECTION IS NOT ALLOWED
- L. THE USE OF AN SFI APPROVED ENGINE DAMPNER IS RECOMMENDED.
- M. NO ADJUSTABLE ENGINE TIMING DEVICES OR ANY ELECTRONIC DEVICE USED TO ADJUST THE TRACTION CAPABILITIES OF THE CAR ARE ALLOWED.
- N. ALL ENGINES MUST BE WET SUMP TYPE ONLY. NO DRY SUMP ENGINES WILL BE ALLOWED TO COMPETE.
- O. ONLY ROUND AIR FILTER HOUSINGS PERMITTED. COLD AIR BOXES ARE NOT ALLOWED. A SHIELD MAY BE ATTACHED TO THE FRONT AREA OF THE AIR FILTER HOUSING UP TO HALF THE CIRCUMFERENCE OF THE AIR CLEANER.
- P. AIR FILTER MUST BE DRY PAPER OR DRY GAUZE TYPE ONLY.
- Q. ANY DEVICE THAT MAY CONTROL THE FLOW OF AIR WILL NOT BE PERMITTED INSIDE OF THE AIR CLEANER.
- R. THE RADIATOR MUST REMAIN IN THE STANDARD LOCATION AND POSITION. THE RADIATOR MUST NOT BE POSITIONED IN THE CAR AT AN ANGLE IN EXCESS OF THREE (3) INCHES FROM VERTICAL. THE RADIATOR MUST BE EQUIPPED WITH AN OVERFLOW OUTLET HOSE EXITING THE COWL AT THE LOWER RIGHT CORNER OF THE WINDSHIELD.

FUEL / FUEL SYSTEM

- A. FUEL MUST BE USE AS DISPENSED. NO ADDITIVES OF ANY KIND CAN BE ADDED TO THE FUEL.
- B. FUEL INJECTION IS NOT ALLOWED.
- C. ALL CARS ARE SUBJECT TO FUEL SAMPLING AT ANY TIME DURING AN EVENT.
- D. THE FUEL CELL MUST BE COMPLETELY ENCLOSED IN A 20-GAGUE MAGNETIC STEEL CONTAINER.
- E. THE BOTTOM OF THE FUEL CELL MUST BE MOUNTED ABOVE THE CENTERLINE OF THE REAR END HOUSING.
- F. THE FUEL CELL MUST BE MOUNTED USING A MINIMUM OF TWO (2) 1/8" BY 2" STEEL STRAPS THAT SURROUND THE FUEL CELL.
- G. MINIMUM GRADE 5 BOLTS OR BETTER ARE REQUIRED FOR ALL FUEL CELL MOUNTS.
- H. FUEL LINES CANNOT PASS THROUGH THE INTERIOR OF THE DRIVER'S COMPARTMENT.
- I. THE USE OF RACING TYPE BRADED STEEL FUEL LINES IS RECOMMENDED.
- J. RACING GASOLINE IS ALLOWED.
- K. ALCOHOL (METHANOL) IS ALLOWED.
- L. ALCOHOL UPPER END LUBE IS ALLOWED.

- M. THE USE OF NITROUS OXIDE, PROPOLENE OXIDE, NITRO METHANE OR ANY OTHER ADDITIVE IS NOT ALLOWED. FUEL MUST BE USED AS DISPENSED.
- N. THE FUEL PUMP MUST BE MOUNTED IN STOCK LOCATION. NO ELECTRIC FUEL PUMPS.

WHEELS AND TIRES

WHEELS:

- A. ANY 15" X 10" STEEL WHEEL MAY BE USED. NO 8" WIDE WHEELS ALLOWED.
- B. NO ALUMINUM WHEELS ALLOWED.
- C. TWO BEAD LOCKS ALLOWED
- D. A MAXIMUM 1" THICK ALUMINUM BOLT PATTERN ADAPTER IS ALLOWED PER WHEEL.
- E. ALUMINUM OR STEEL WHEEL SPACERS ARE ALLOWED. SPACERS MUST SLIDE OVER WHEEL STUDS.
- F. STEEL WHEEL STUDS ONLY.
- G. MINIMUM 1/2" WHEEL STUDS USING A 1" LUG NUT MANDATORY. 5/8" WHEEL STUDS RECOMMENDED.
- H. EACH WHEEL MUST HAVE FIVE (5) WHEEL STUDS AND LUG NUTS.
- I. THE USE OF BLEEDER VALVES ON WHEELS IS NOT PERMITTED

TIRES:

- A. MAXIMUM TIRE TREAD WITH IS 10.5". (FOOTPRINT MEASURED FROM OUTSIDE EDGE TO OUTSIDE EDGE) TIRES MAY NOT BE SHAVED TO ACHIEVE 10.5" TREAD WIDTH.
- B. HOOSIER 36240 RC4, 36240 AND 36310 RC4 AND RC6 OR HOOSIER 350 TIRES ARE THE ONLY APPROVED TIRES FOR USE IN COMPETITION.

SAFETY

DRIVER SAFETY EQUIPMENT

- A. EACH COMPETITOR IS RESPONSIBLE FOR THE EFFECTIVENESS OF PERSONAL SAFETY EQUIPMENT. EACH COMPETITOR IS EXPECTED TO EDUCATE THEMSELVES FULLY WITH RESPECT TO THE AVAILABILITY AND EFFECTIVENESS OF PERSONAL SAFETY EQUIPMENT. IT IS THE SOLE RESPONSIBILITY OF THE DRIVER TO ENSURE THAT HE/SHE MAINTAINS, WEARS AND PROPERLY USES PROTECTIVE CLOTHING AND EQUIPMENT.
- B. ALL PERSONAL SAFETY EQUIPMENT MUST BE IN GOOD CONDITION
- C. DRIVER MUST WEAR A FIRE-RESISTANT UNIFORM MEETING THE SFI 3.2A/5 SPECIFICATION AND DISPLAY A VALID SFI 3.2A/5 LABEL.
- D. DRIVERS UNIFORMS MAY BE ONE OR TWO PIECE.
- E. ALL DRIVERS ARE REQUIRED TO WEAR FIRE RESISTANT GLOVES AT ALL TIMES ON TRACK. GLOVES MUST MEET THE SFI 3.3 SPECIFICATION AND DISPLAY A VALID SFI 3.3 LABEL
- F. DRIVER SHOULD ALSO WEAR FIRE-RESISTANT ACCESSORIES SUCH AS HEAD SOCK, UNDERGARMENTS, SHOES AND SOCKS.
- G. DRIVERS MUST WEAR ALL PERSONAL SAFETY EQUIPMENT DURING ANY ON-TRACK ACTIVITY.
- H. DRIVERS MUST WEAR A FULL-FACE HELMET CARRYING A SNELL SA 2010 OR LATER CERTIFICATION. THE HELMET CERTIFICATION LABEL MUST BE AFFIXED TO THE HELMET AT ALL TIMES.
- D. DRIVERS MUST CONNECT THEIR HELMET TO AN APPROVED HEAD AND NECK RESTRAINT.

SEAT BELTS

- A. ALL CARS MUST BE EQUIPPED WITH A MINIMUM 5-POINT SAFETY HARNESS (SEAT BELT) SYSTEM. SAFETY HARNESS SYSTEMS MUST MEET THE SFI 16.1, 16.2 OR 16.5 SPECIFICATION AND DISPLAY A VALID SFI LABEL. THE HARNESS MUST NOT BE USED BEYOND 2 YEARS FROM THE DATE OF MANUFACTURE DISPLAYED ON THE LABEL.
- B. SAFETY HARNESSES MUST BE INSTALLED AND MOUNTED IN ACCORDANCE WITH THE MANUFACTURERS GUIDELINES USING GRADE 5 OR BETTER BOLTS.
- C. ALL SEAT BELTS MUST BE USED AS A COMPLETE SET AND MAY NOT BE COMPRISED OF OTHER BELTS OR FROM MORE THAN ONE MANUFACTURER.

SEAT

- A. A PROFESSIONAL ALUMINUM OR CARBON FIBER RACING SEAT IS REQUIRED. SEATS MEETING THE SFI 39.1 OR SFI 38.1 SPECIFICATION ARE RECOMMENDED. FOR RACES AT TRACKS 1/2-MILE IN LENGTH OR LONGER, A FULL CONTAINMENT SEAT IS REQUIRED.
- B. SEATS MUST BE MOUNTED WITH A MINIMUM OF SIX (6) 3/8-INCH GRADE 5 BOLTS. FOUR (4) BOLTS MUST ATTACH THE BOTTOM OF THE SEAT TO BARS WELDED TO THE FRAME OR ROLL CAGE. THE REMAINING BOLTS MUST ATTACH THE BACK OF THE SEAT TO THE ROLL CAGE CROSS BAR (#7 BAR) AT UPPER SEAT BACK.

- C. IT IS RECOMMENDED THAT THE SEAT OFFER RIB PROTECTION AND HAVE LEG EXTENSIONS. HEADRESTS ARE RECOMMENDED ON BOTH SIDES OF HEAD. HEADRESTS MUST BE PADDED.
- D. NO FIBERGLASS OR POLY SEATS ALLOWED.

FIRE EXTINGUISHER / EXTINGUISHING SYSTEM

- A. A MINIMUM 2 POUND FIRE EXTINGUISHER MUST BE MOUNTED INSIDE THE CAR WITHIN REACH OF THE DRIVER. THE MOUNT MUST MEET APPROVAL BY TECH OFFICIALS. IT IS RECOMMENDED THAT ALL CARS HAVE A BUILT-IN, FULLY CHARGED FIRE SUPPRESSION SYSTEM.
- B. ALL TEAMS SHOULD ALSO HAVE A MINIMUM 10 POUND FULLY CHARGED FIRE EXTINGUISHER IN THEIR PIT.

WINDOW NETS

- A. A WINDOW NET, MOUNTED IN THE LEFT SIDE WINDOW AREA, IS RECOMMENDED.
- B. IF USED, THE WINDOW NET MUST BE MOUNTED WITH AN APPROVED QUICK RELEASE AT TOP FRONT OF THE WINDOW OPENING FACING THE DRIVER.
- C. WINDOW NETS CAN ONLY BE USED WITHIN 5 YEARS FROM THE DATE OF MANUFACTURE.

GAS PEDAL

- A. A GAS PEDAL MADE FOR RACING IS REQUIRED.
- B. THE GAS PEDAL MUST BE EQUIPPED WITH A LOOP AT THE TOP FOR PULLING THE THROTTLE CLOSED.
- C. GAS PEDAL LINKAGE MUST BE MADE FROM STEEL OR ALUMINUM ROUND ROD.
- D. GAS PEDAL LINKAGE MADE OF CABLE IS NOT ALLOWED.
- E. GAS PEDAL LINKAGE MUST MOVE FREELY AND NOT HAVE ANY KINKS OR BINDS OF ANY KIND.

CAR APPEARANCE / IDENTIFICATION AND MARKINGS

- A. ALL CARS MUST BE NEAT IN APPEARANCE INCLUDING NUMBERS AND LETTERING.
- B. CAR NUMBERS MUST BE VISIBLE ON BOTH SIDES OF THE CAR AND CONTRAST WITH THE SURROUNDING BODY COLOR. CAR SIDE NUMBERS MUST BE A MINIMUM OF EIGHTEEN (18) INCHES IN HEIGHT. THE CAR NUMBER MUST ALSO BE VISIBLE ON THE ROOF OF THE CAR AND CONTRAST WITH THE SURROUNDING BODY COLOR. ROOF NUMBERS MUST BE A MINIMUM OF EIGHTEEN (18) INCHES IN HEIGHT AND FACE THE GRANDSTAND SIDE OF THE CAR.
- C. THE NUMBER FONT USED MUST BE EASILY READABLE FROM A DISTANCE OF ONE HUNDRED (100) FEET IN LOW LIGHT.
- D. SPONSORS AND SPONSOR LOGOS MUST NOT BE OFFENSIVE. IF YOU DON'T KNOW, ASK.

POST RACE INSPECTION / FINALITY OF INSPECTION & RULES

- A. AT A MINIMUM, THE TOP 3 CARS IN THE MAIN EVENT(S) ARE TO PROCEED DIRECTLY TO THE POST-RACE TECH INSPECTION AREA (SCALES). THE DRIVER MUST DRIVE THE CAR TO THE TECH AREA AND REMAIN WITH THE CAR UNTIL RELEASED BY TECH OFFICIALS. ALL CARS AND CAR PARTS WILL BE HELD IN THE INSPECTION AREA UNTIL RELEASED BY TECH OFFICIALS.
- B. FAILURE TO GO DIRECTLY TO THE TECH AREA WILL RESULT IN A PENALTY OF LOSS OF FINISHING POSITION AND PRIZE MONEY (DISQUALIFIED).
- C. TEAMS MUST COMPLY WITH ALL DIRECTIVES, REQUESTS OR INSTRUCTIONS FROM TECH OFFICIALS AT ALL TIMES.
- D. ANY SITUATION OR QUESTION OF THE LEGALITY OF A CAR, CAR PART OR COMPONENT NOT SPECIFICALLY COVERED IN THESE RULES WILL BE HANDLED BY AND AT THE DISCRETION OF THE TECH OFFICIALS AND THE RACE DIRECTOR. THE DECISION(S) OF THE RACE DIRECTOR ARE FINAL.
- E. THE INTERPRETATION OF THESE RULES AND ALL DECISIONS BY TECH OFFICIALS AND/OR THE RACE DIRECTOR ARE FINAL.

ANY PART FOUND AT ANY TIME DURING AN EVENT THAT DOES NOT MEET APPLICABLE SPEEDWAY RULES, IS SUBJECT TO IMPOUND BY TECH OFFICIALS. IT IS AT THE DISCRETION OF THE RACE DIRECTOR IF SUCH PART WILL BE RETURNED.

APPENDIX A:

APPROVED FRONT NOSE (BUMPER COVERS)

THE FOLLOWING FRONT NOSES ARE APPROVED FOR USE IN THE SPORTSMAN DIVISION:

FIVE STAR STOCKCAR BODIES:

NORTH AMERICAN SPORTSMAN BODY CAMARO NOSE – PN 20132-41051x

NORTH AMERICAN SPORTSMAN BODY MUSTANG NOSE – PN 20321-41051x

NORTH AMERICAN SPORTSMAN BODY CAMRY NOSE – PN 20712-41051x

PERFORMANCE BODIES;

STOCK CAR/STREET STOCK CAMARO NOSE PN MD3651040K

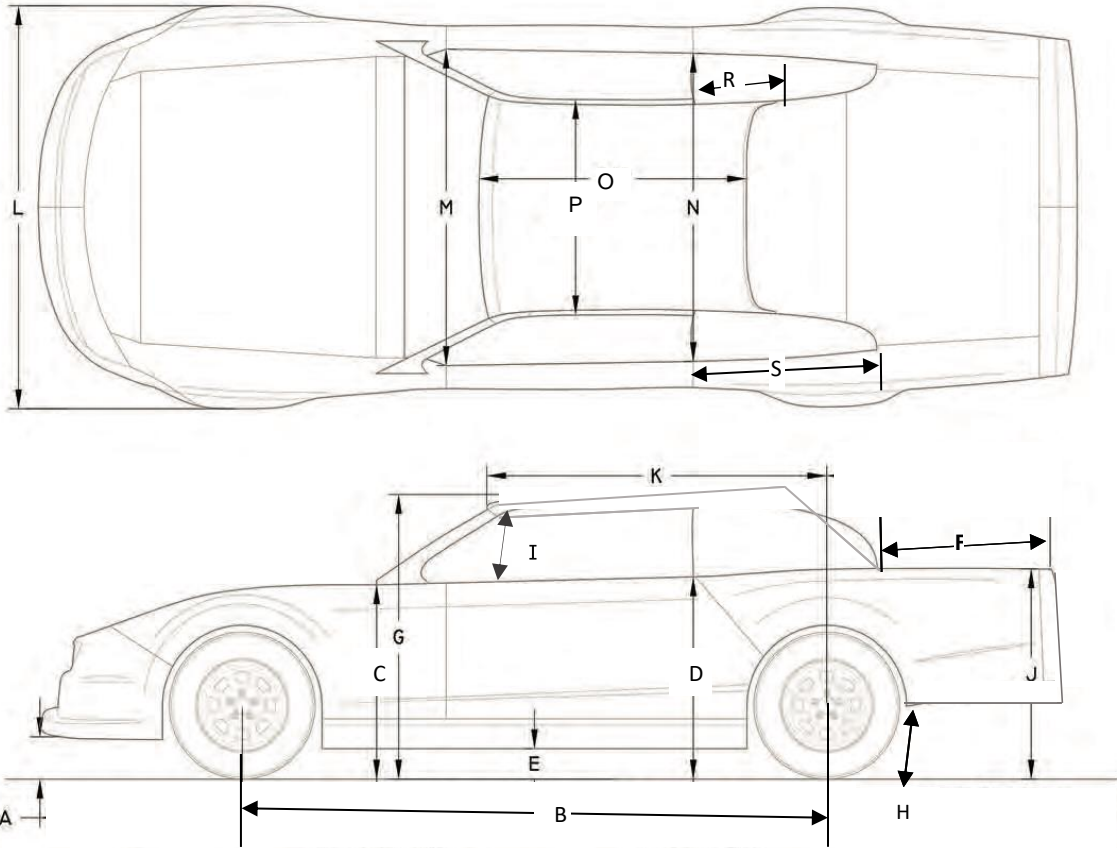
STOCK CAR/STREET STOCK MUSTANG NOSE PN MD3661040K

DOMINATOR RACE PRODUCTS;

CAMARO SS NOSE – PN DOM-303

STOCK APPEARING NOSES OR CLASSIC DIRT NOSES ARE ALSO ALLOWED.

SPORTSMAN BODY DIMENSIONS



A. 6" MINIMUM FROM GROUND AT THE NOSE	J. 36" MAXIMUM FROM TOP OF QUARTER PANEL AND DECK LID TO GROUND
B. 104" MINIMUM WHEELBASE	K. 2.5" MAXIMUM ROOF RAKE
C. 36" MAXIMUM TOP OF FENDER AND HOOD TO THE GROUND	L. 75" MAXIMUM
D. 36" MAXIMUM TOP REAR OF THE DOOR AND FRONT OF QUARTER PANEL TO THE GROUND	M. 75" MAXIMUM WIDTH FRONT TO REAR OF THE DOORS
E. 6" MINIMUM AT THE BOTTOM OF DOOR TO GROUND. 8" MINIMUM FROM BOTTOM OF REAR QUARTER PANEL IN FRONT OF REAR TIRE.	N. 75" MAXIMUM WIDTH AT BACK OF THE CAR
F. 22" MINIMUM FROM BOTTOM OF THE SAIL PANNEL TO THE REAR OF THE DECK LID/QUARTER PANEL	O. 41" MINIMUM LENGTH OF ROOF FRONT TO REAR 52" MAXIMUM LENGTH OF ROOF FRONT TO REAR
G. 47" MINIMUM FROM TOP F THE ROOF TO GROUND	P. 46" MINIMUM WIDTH OF ROOF 52" MAXIMUM WIDTH OF ROOF
H. 13" MINIMUM BEHIND REAR TIRE TO GROUND.	R. 15" MAXIMUM LENGTH OF SAIL PANEL AT THE TOP
I. 14" MINIMUM HEIGHT OF WINDOW OPENING	S. 30" MAXIMUM LENGTH OF SAIL PANEL AT BOTTOM